



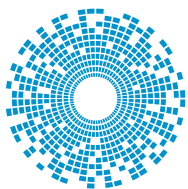
Cinch Connectivity Solutions

RJ45 D38999

Series C-RJFTV

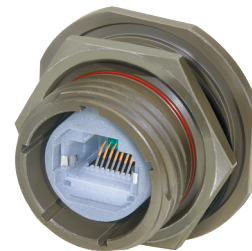
Rugged Solutions

Bringing the combined technical expertise and engineering capabilities of Cinch's rugged D38999 shell and Stewart's high performance RJ45, the RJ45 D38999 provides Ethernet connectivity in harsh environments. Our unique design reduces the footprint to the markets smallest size 17, which can be used to transmit 10G BaseT Ethernet signals.



cinch
CONNECTIVITY SOLUTIONS

a bel group



Series C-RJFTV

Main Characteristics

- D38999 series III style shell
- EMI protection with shielded cable
- Shell sizes 19 and 17 which is the smallest size on the market today and allows for communications speeds through 10G BaseT Ethernet
- Available in a variety of metals and platings
- Minimum of 500 mating cycles
- Sealed to IP68
- Four keyways available



Data transmission

- 10 BaseT, 100 BaseT, 1000 BaseT, and 10G BaseT Ethernet
- High performance connectivity, up to 500 MHz
- Cat5e, Cat6, and CAT6a channel options available

Applications

- Harsh environment connectivity
- Military communication
- Railway
- Oil and Gas

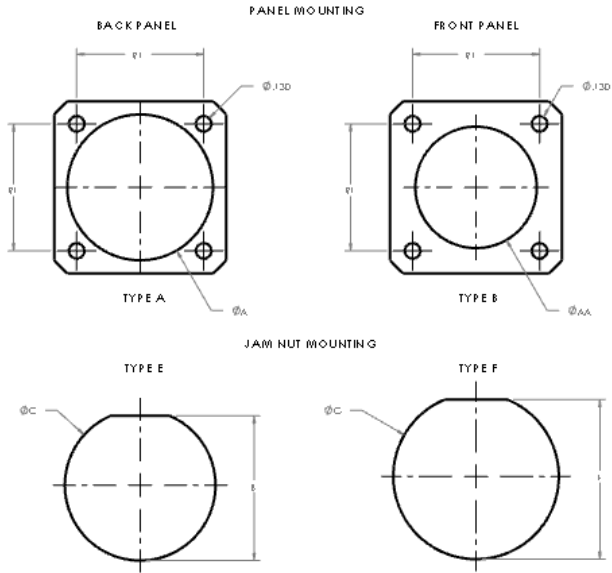


Shell Size	A Dia.	B Dia.	C Dia.	D	E	F Dia.	G	H	I	J Dia.	K	L	M
17	62.74 (2.470)	35.7 (1.40)	29.21 (1.150)	37.46 (1.475)	22.22 (.875)	29.94 (1.179)	43.1 (1.455)	24.77 (.975)	22.22 (.875)	29.94 (1.179)	33.3 (1.311)	26.97 (1.062)	24.61 (.969)
19	62.74 (2.470)	38.5 (1.51)	29.21 (1.150)	37.46 (1.475)	22.22 (.875)	31.75 (1.250)	43.1 (1.455)	24.77 (.975)	22.22 (.875)	31.75 (1.250)	36.5 (1.437)	29.36 (1.156)	26.97 (1.062)

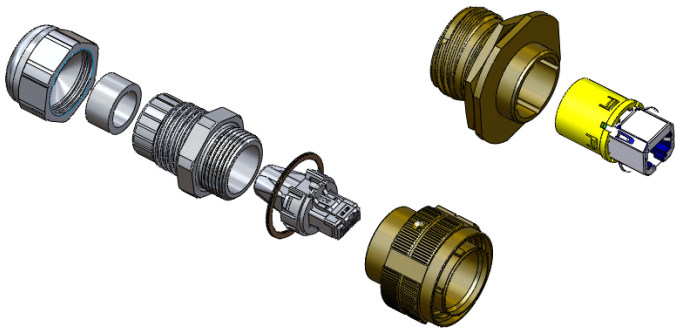


Series C-RJFTV

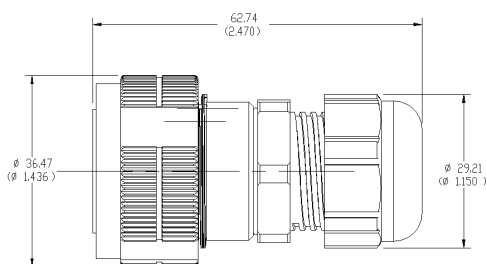
Recommended Panel Dimensions



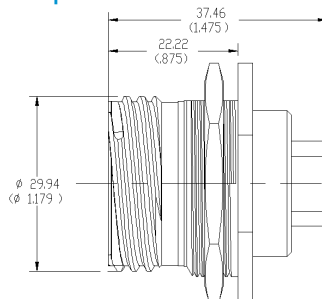
Shell Size	A Dia. min	AA Dia. min	B +.00 -.25	C +.25 -.00	E Dia. min	F +.00 -.25	G +.25 -.00	R1	R2	T Dia. ±13
16-17	30.96 (1.219)	25.81 (1.016)	30.73 (1.210)	32.01 (1.260)	28.04 (1.104)	33.91 (1.335)	35.18 (1.385)	26.97 (1.062)	24.61 (0.969)	3.25 (0.128)
18-19	32.94 (1.297)	28.98 (1.141)	33.91 (1.335)	35.18 (1.385)	31.22 (1.229)	37.08 (1.460)	38.35 (1.510)	29.36 (1.156)	26.97 (1.062)	3.25 (0.128)



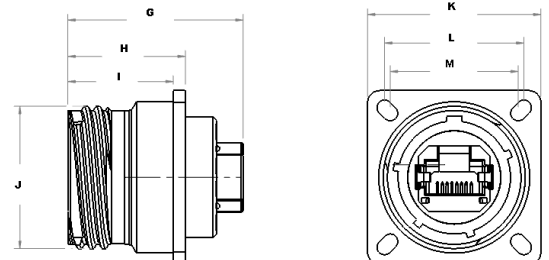
Plug



Receptacle



Square Flange Receptacle

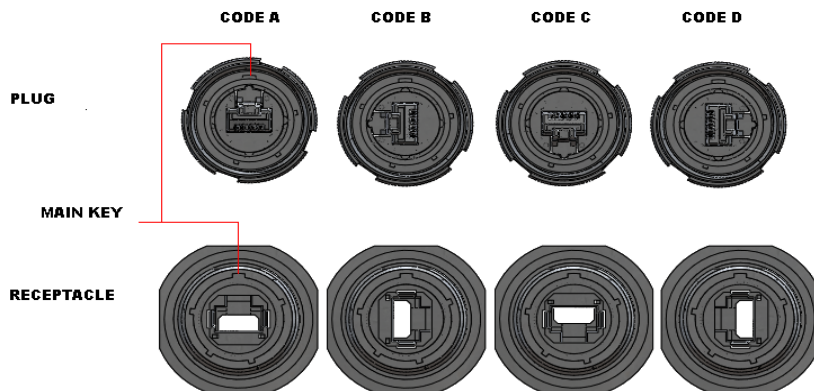


How to Order Cinch RJ45 D38999, Series C-RJFTV

Series	C-RJFTV	6A	17	06	P	1	G	03	K123
RJ45 38999 series III									
Performance	5E - Suited for 10 BaseT, 100 BaseT, 1GBaseT 6A - Suited for 10G BaseT								
Shell size	17 - Size 17 19 - Size 19								
Shell Type	02 - Receptacle, square flange 02BS - Receptacle, square flange, IP68 backshell 06 - Plug, straight 07 - Receptacle, jamnut 07BS - Receptacle, jamnut, IP68 backshell								
Cable gland (omit for shell type 02 and 07)	P - Plastic M - Metallic								
Back end termination	1 - RJ45, Female, Straight								
Shell material and plating	G - Aluminum shell, olive drab plating N - Aluminum shell, nickel plating (RoHS) SS - Stainless steel, passivated (RoHS) BZ - Marine bronze (RoHS)								
Cordset length	03 - 0.3 meter 05 - 0.5 meter 10 - 1.0 meter 15 - 1.5 meter								
Modification code									

INSERTS CODING

CONNECTION SIDE VIEW



Cinch Connectivity Solutions
1700 Finley Road
Lombard, IL 60148 USA

+1 630.705.6000
inquiry@cinch.com
cinch.com